

# TYPE 84-2 SLIDE CARBURETOR

XXX DENOTES VARIABLE COMPONENTS SEE PAGE 16

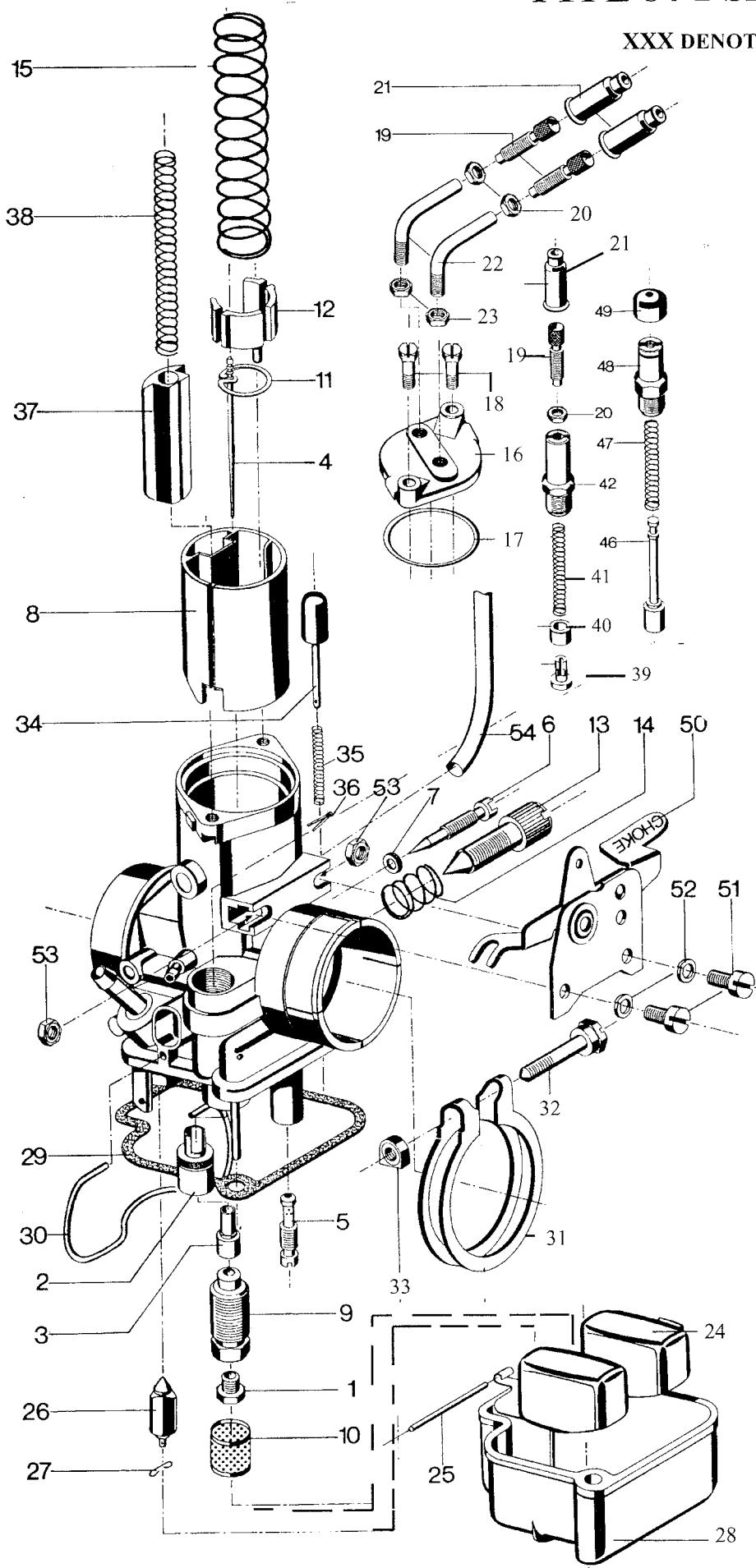


FIG #	DESCRIPTION	BING #
1	MAIN JET	44-051-XXX
2	ATOMIZER	51-590-XXX
3	NEEDLE JET	45-196-XXX
4	JET NEEDLE	46-290-XXX
5	IDLE JET	44-353-XXX
6	AIR SCREW	50-039
7	"O" RING	65-704
8	AIR SLIDE	22-XXX
9	JET STOCK	45-425
10	SCREEN	57-706
11	CLIP	57-253
12	RETAINER	26-511
13	IDLE SPEED	50-072
14	SPRING	60-322
15	SLIDE SPRING	60-XXX
16	COVER	20-640
17	"O" RING	65-740
18	SCREW	40-518
19	ADJUSTER	50-050
20	NUT	42-605
21	BOOT	65-851
22	CABLE GUIDE	55-XXX
23	NUT	42-702
24	FLOAT - stock	35-310
24	FLOAT - independent	35-IND
25	PIVOT PIN	52-058
26	FLOAT NEEDLE	47-968
27	LOCK SPRING	61-420
28	FLOAT BOWL	30-577
28	FLOAT BOWL-IND	30-922/150
29	BOWL GASKET	65-584
30	BOWL CLIP	61-479
31	CLAMP	59-114
32	BOLT	40-636
33	NUT	42-661
34	TICKLER	48-830
35	SPRING	60-062
36	PIN	49-020
37	CHOKE	22-056
38	SPRING	60-194
39	PISTON	22-935
40	BUSHING	50-672
41	SPRING	60-180
42	INSERT	51-720
46	PISTON	22-956
47	SPRING	60-179
48	INSERT	51-721
49	BOOT	80-725
50	START LEVER	58-985
51	SCREW	40-566
52	WASHER	61-681
53	NUT	42-502
54	VENT TUBE	80-711 (Fuel Line)
55	BUSHING	66-636
	FLOAT NEEDLE SEAT	51-536-XXX
	ALCOHOL PROOF FLOAT KIT	82 F & B KIT
	(Inserted Picture)	